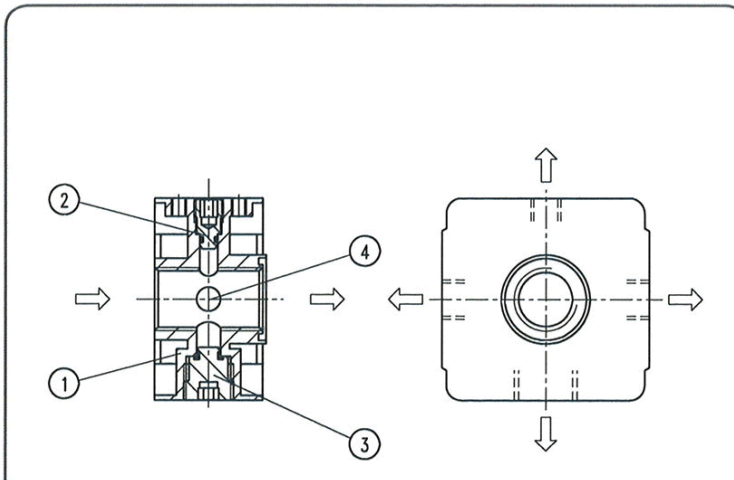


Manifold – Slim design

item	type	Z 33
port size		G 1/2
description air distribution block		
mounting arbitrary		
supply pressure Pe max. 16 bar, P/E-switch Pe 0,5-8 bar		
unblocking potential max. 250 V		
media and ambient		
temperature max. 60°C (oth. temperature ranges available upon request)		
nominal discharge Qn 11000 l/min (Pe = 6 bar, delta P = 1 bar)		
discharge P-D G 3/8 Q 3450 l/min (Pe = 6 bar, delta P = 1 bar)		
discharge P-C G 1/4 Q 3100 l/min (Pe = 6 bar, delta P = 1 bar)		
discharge P-B G 1/8 Q 1400 l/min (Pe = 6 bar, delta P = 1 bar)		
fixing interlocking with clamps, install in pipe line		
weight 0,400 kg		

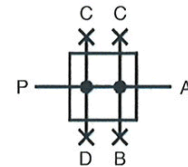



replacement parts

no	description		material	order-no.
1	body		zinc - Z 410	---
2	blanking plug G1/8 with O-ring 3x1,5	Z.11-4-1	Ms - NBR	8.4011.04.300
3	blanking plug G3/8 with O-ring 6x2	Z.33-2-1	Ms - NBR	8.4033.02.300
4	blanking plug G1/4 with O-ring 4x1,75	Z.11-6	Grivory GV-6H NBR	8.4011.06.300

application information

- easy block assembly for components to be connected in series
- interlocking of several individual devices requires coupling kit(s) KP33 Z


series 3

ordering information

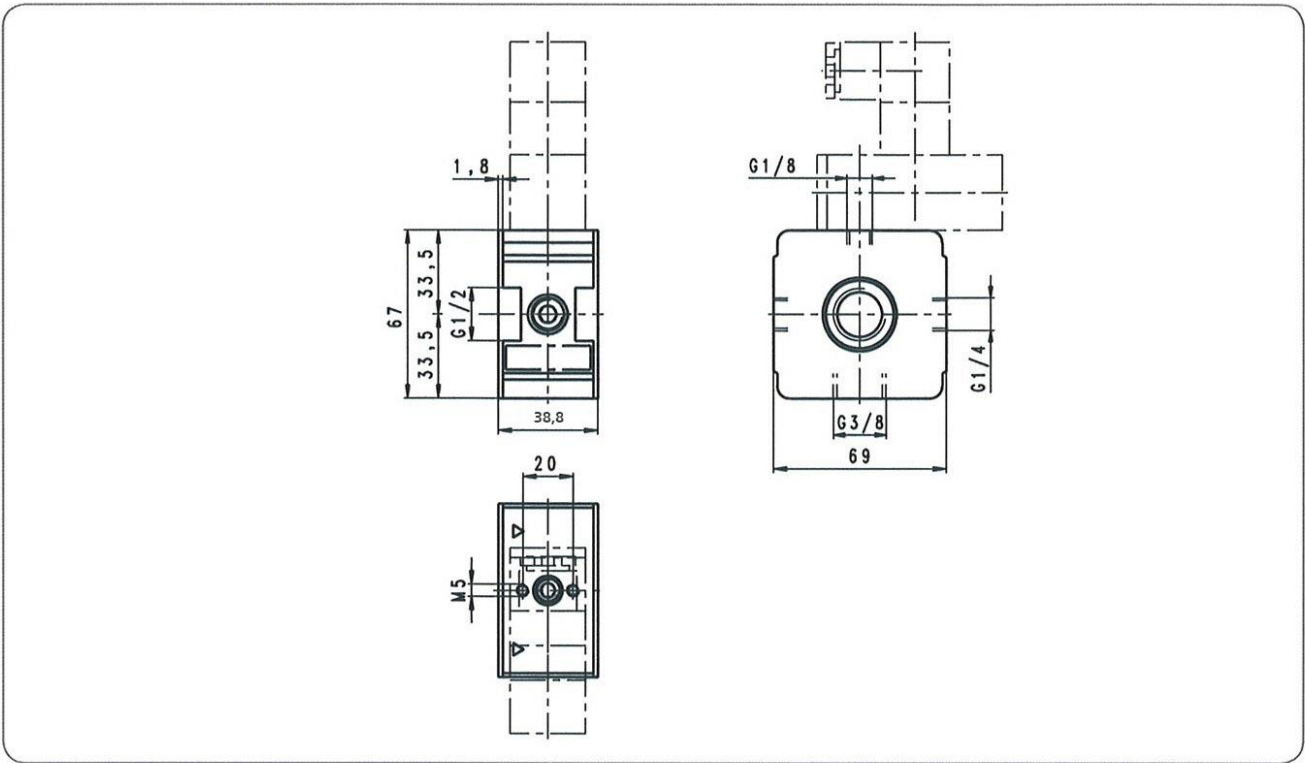
Z 33

type

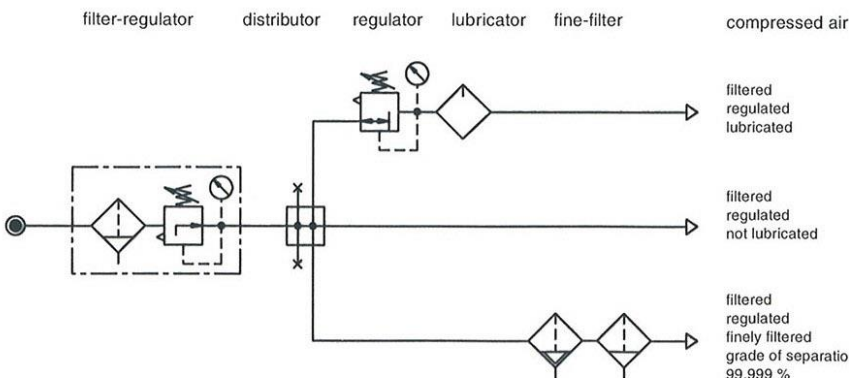
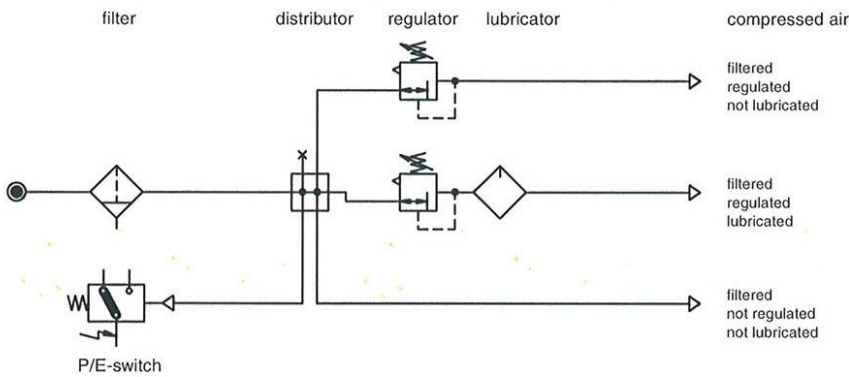
port size

ordering example: Z 33

port size	
1	33 G 1/2
options	
2	



various application



accessories

Pressure switch

type: PE 10
